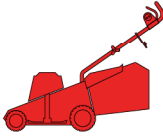
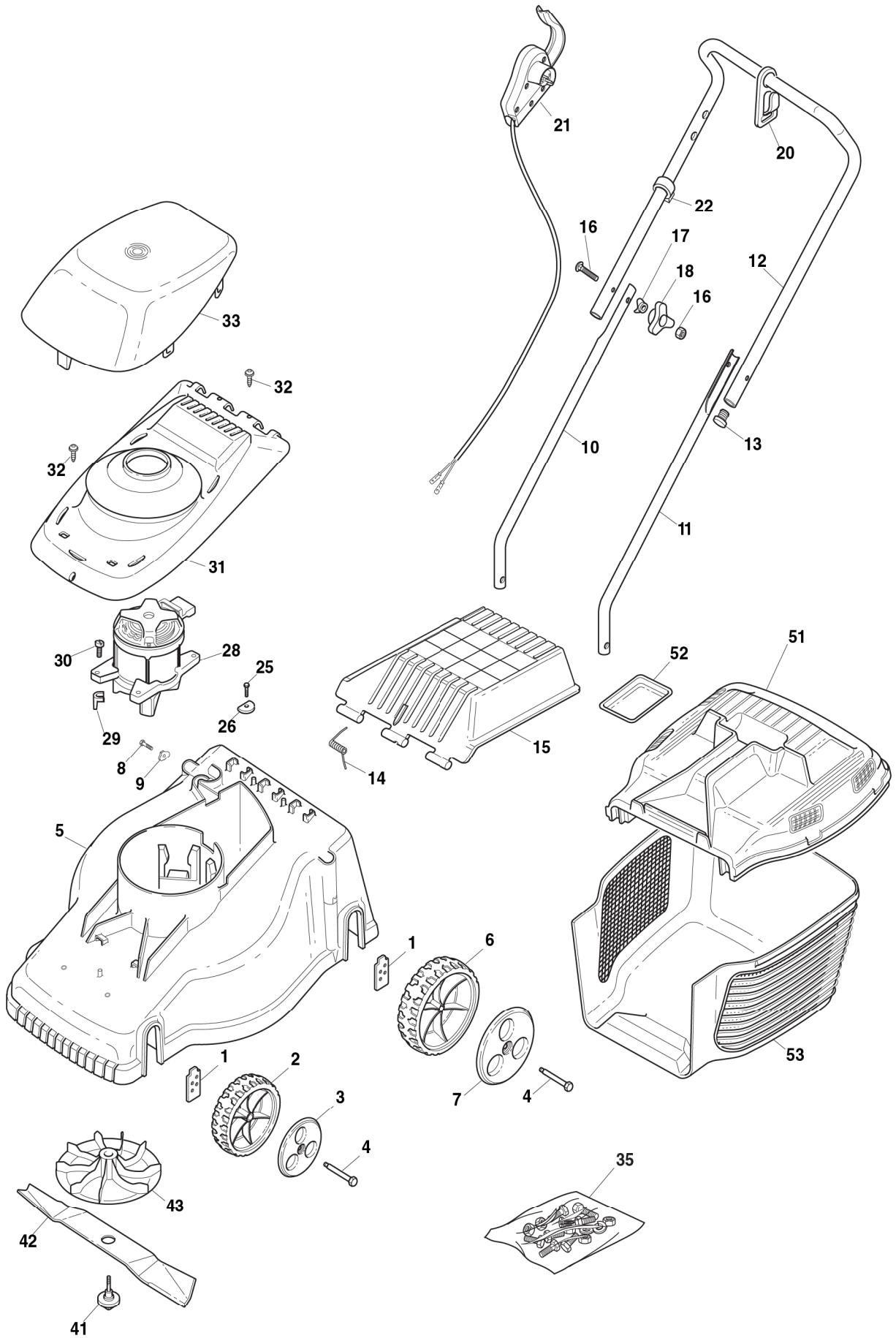


EP 350



2008
151.0
1 / 2



POS.	CODE	Q.Q.TY	DESCRIZIONE	DESCRIPTION	DESCRIPTION	BESCHREIBUNG	REMARKS
1	322785162/1	4	SUPPORTO RUOTA	SUPPORT, WHEEL	SUPPORT ROUE	HALTER, RAD	
2	22686089/0	2	RUOTA Ø 130	WHEEL Ø 130	ROUE Ø 130	RAD Ø 130	
3	22110422/0	2	COPRIMOZZO BIANCO	HUB CAP WHITE	COUVRE-MOYEU BLANC	RADKAPPE WEIßE	
-	22110426/0	2	COPRIMOZZO GIALLO	HUB CAP YELLOW	COUVRE-MOYEU JAUNE	RADKAPPE GELBE	
-	22110424/0	2	COPRIMOZZO ROSSO	HUB CAP RED	COUVRE-MOYEU ROUGE	RADKAPPE ROTE	
4	22524339/0	4	PERNO	PIN	PIVOT	BOLZEN	
5	81003535/0	1	CHASSIS ROSSO	DECK RED	CHÂSSIS ROUGE	GEHÄUSE ROT	
6	22686090/0	2	RUOTA Ø 160	WHEEL Ø 160	ROUE Ø 160	RAD Ø 160	
7	22110423/0	2	COPRIMOZZO BIANCO	HUB CAP WHITE	COUVRE-MOYEU BLANC	RADKAPPE WEIßE	
-	22110427/0	2	COPRIMOZZO GIALLO	HUB CAP YELLOW	COUVRE-MOYEU JAUNE	RADKAPPE GELBE	
-	22110425/0	2	COPRIMOZZO ROSSO	HUB CAP RED	COUVRE-MOYEU ROUGE	RADKAPPE ROTE	
8	12728450/0	2	VITE	SCREW	VIS	SCHRAUBE	
9	22545135/0	2	PIASTRINA	PLATE	PLAQUETTE	PLÄTTCHEN	
10	81006939/1	1	MANICO, PARTE INF DX	HANDLE, R LOWER	MANCHERON, PARTIE INFERIEURE D	HOLM, RECHTE UNTERTEIL	
11	81006940/1	1	MANICO, PARTE INF SX	HANDLE, L LOWER	MANCHERON, PARTIE INFERIEURE G	HOLM, LINKE UNTERTEIL	
12	81006941/4	1	MANICO, PARTE SUP	HANDLE, UPPER PART	MANCHERON, PARTIE SUPERIEURE	HOLM, OBERTEIL	
13	18566112/0	2	PUNTALE	CAP	BOUCHON	GUMMINSTOPFEN	
14	22450435/0	1	MOLLA	SPRING	RESSORT	FEDER	
15	22600123/0	1	PROTEZIONE	PROTECTION	PROTECTION	SCHUTZ	
16	12819120/0	2	VITE	SCREW	VIS	SCHRAUBE	
17	22680006/1	2	ROSETTA	WASHER	RONDELLE	SCHEIBE	
18	22399900/0	2	MANOPOLINA	KNOB	POIGNÉE	GRIFF	
20	22195101/4	1	FERMACAVO	FAIRLEAD	FIXATION CABLE	KABELBEFESTIGUNG	
21	-	1	SALVAMOTORE	DEAD HAND SWITCH	INT. MAIN MORTE	TOT MANSCHALTER	(SEE ENCLOSURE 3)
22	22192000/1	1	FASCETTA	CLAMP	COLLIER	BOWDENZUGHALTER	
25	12728099/1	1	VITE	SCREW	VIS	SCHRAUBE	
26	22680010/0	1	RONDELLA	WASHER	RONDELLE	SCHEIBE	
28	18563648/0	1	MOTORE	MOTOR	MOTEUR	MOTOR	(LEO 230-240V)
29	22167700/0	4	DISTANZIALE	SPACER	ENTRETOISE	DISTANZRING	
30	12735410/0	4	VITE	SCREW	VIS	SCHRAUBE	
31	22785154/0	1	SUPPORTO CAPOTTINA	SUPPORT, COVER	SUPPORT CAPOT	HALTER, HAUBE	
32	12728700/0	3	VITE	SCREW	VIS	SCHRAUBE	
33	22055092/0	1	CAPOTTINA	COVER	CAPOT	HAUBE	
35	81008678/0	1	DOTAZIONE VITERIA	OUTFIT, SCREWS	DOTATION VISSERIE	SATZ, SCHRAUBEN	
41	81004352/0	1	VITE	SCREW	VIS	SCHRAUBE	
42	81004127/0	1	COLTELLO	BLADE	LAME	MESSER	
43	22465602/0	1	MOZZO GIRANTE	HUB FAN	MOYEU VENTILATEUR	LÄUFENDENABE	
51	22486148/0	1	SACCO, PARTE SUP	GRASS-BOX, UPPER PART	SAC, PARTIE SUPERIEURE	KORB, OBERTEIL	
52	22486098/0	1	PIASTRINA	PLATE	PLAQUETTE	PLÄTTCHEN	
53	22486146/0	1	SACCO, PARTE INF	GRASS-BOX, LOWER PART	SAC, PARTIE INFERIEURE	KORB, UNTERTEIL	